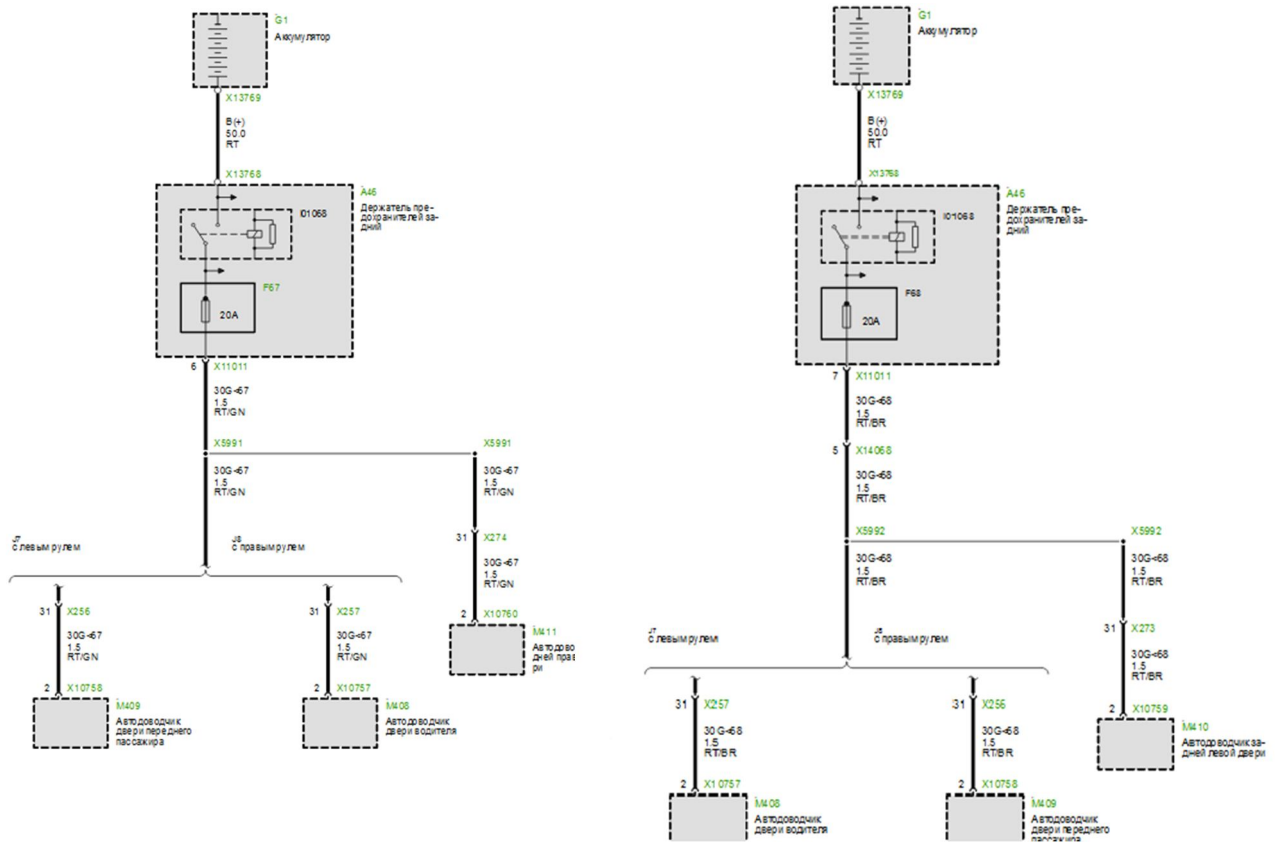


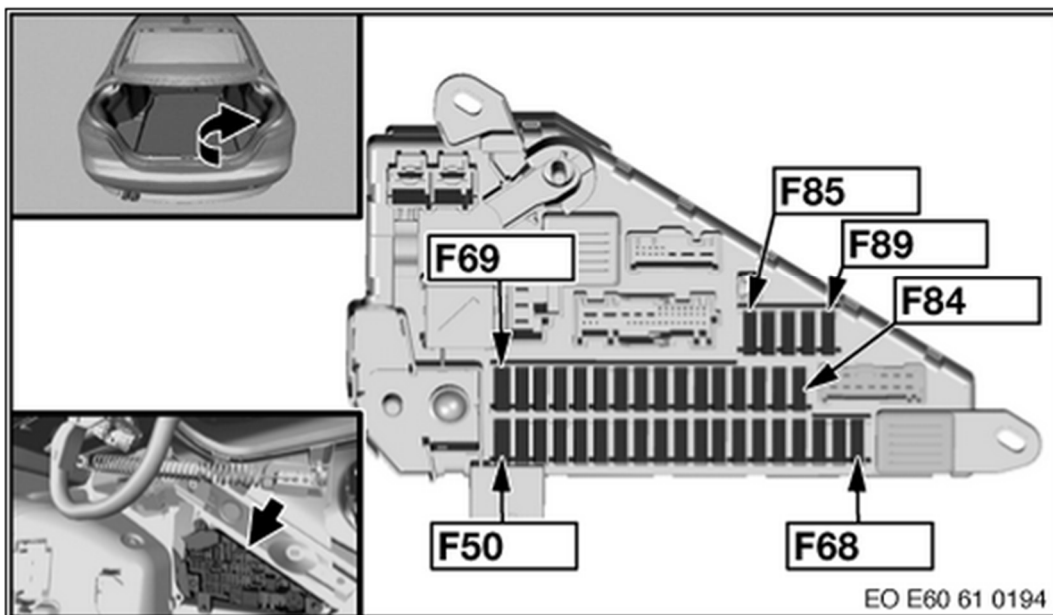
Retrofit SOFT CLOSE BMW E60/E61

I01068 – relay.(for information)



Fuses F67/F68 – they are already installed in the car

F69, F85, F89, F84, F50, F68



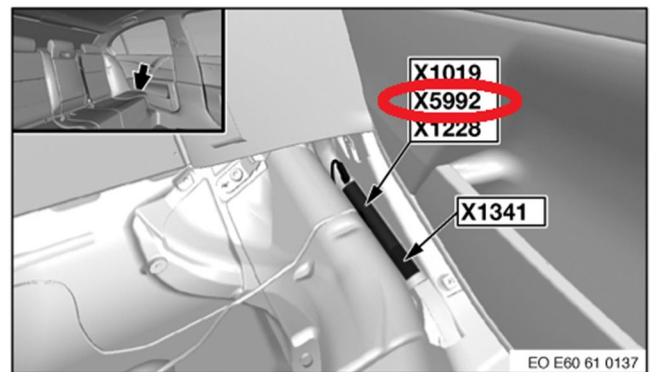
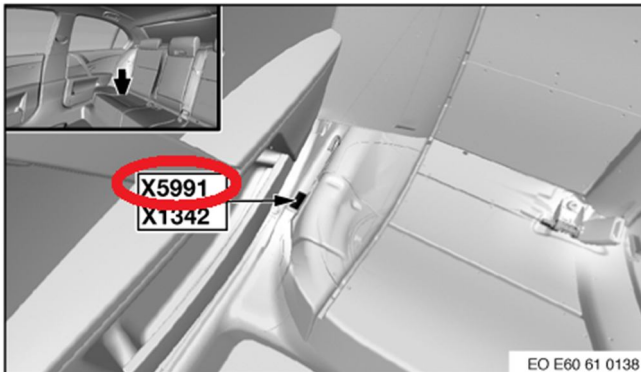
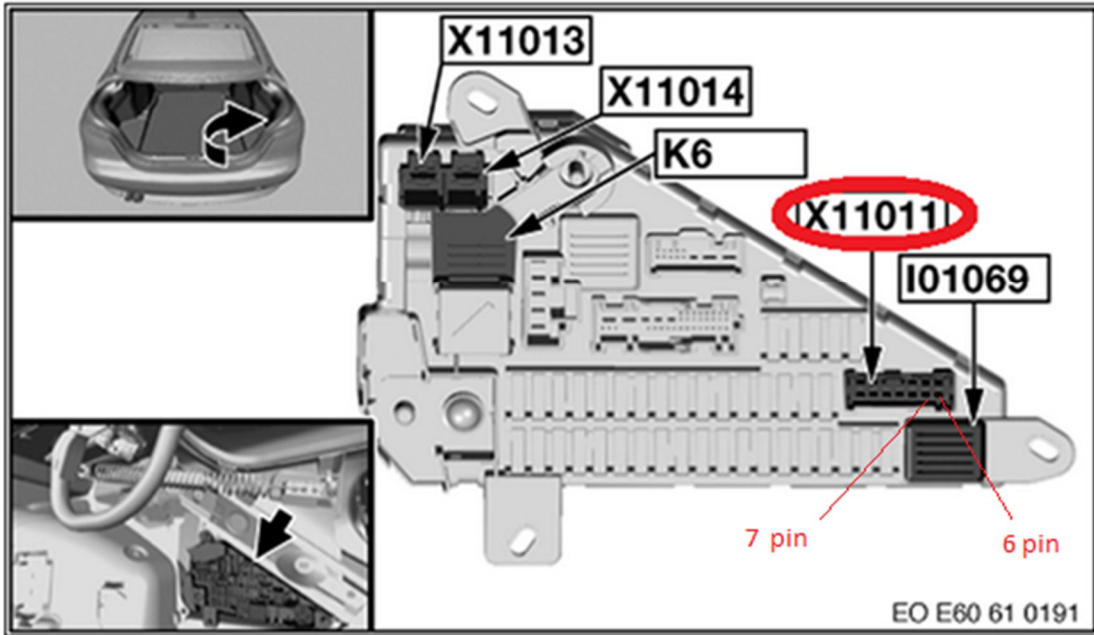
X 11011

7 pin(Soft close driver side)

6 pin(Soft close passenger side)

Power to these pines is already there, you only need to bring the wire from the drive to them.

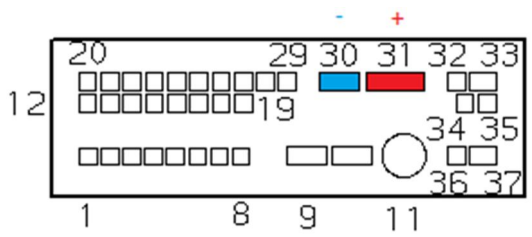
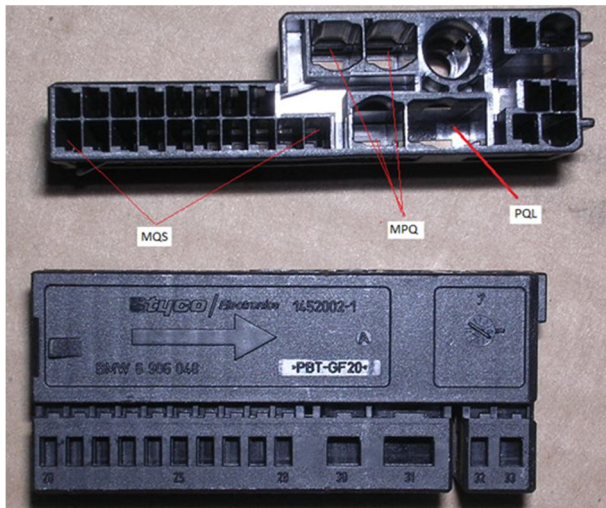
X11013, X11014, K6, X11011, I01069



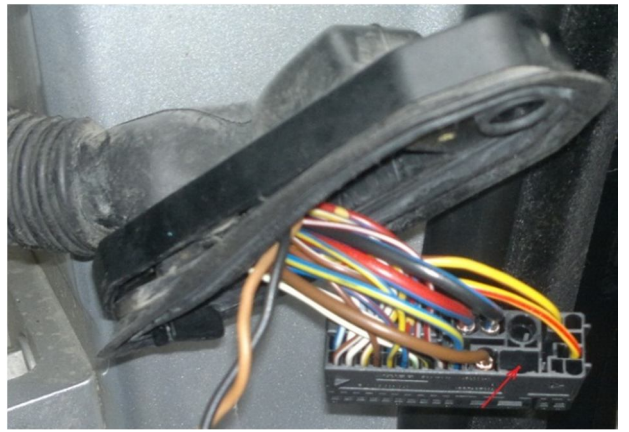
Connector from the door X257/ X273/ X256/ X274

You must add the missing contacts in the connector- Pin 31 (PQL) - driver/passenger door.

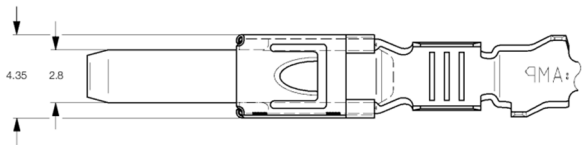
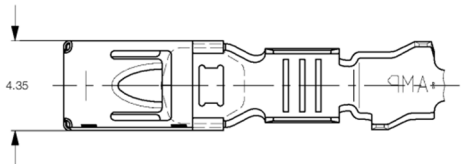
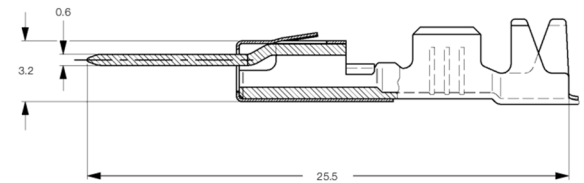
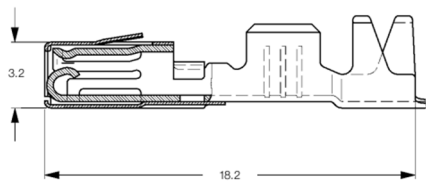
Also you must add the missing contacts in the connector- Pin 31(PQL)/pin 30(MPQ) - rear doors.



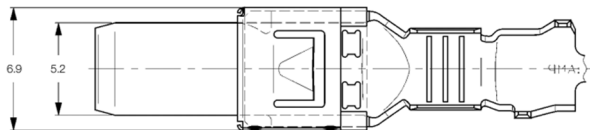
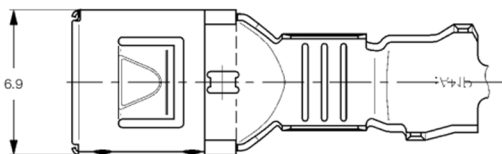
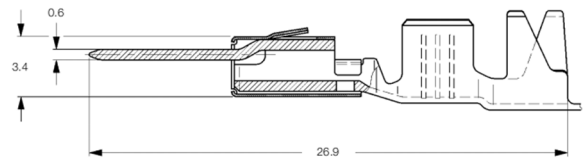
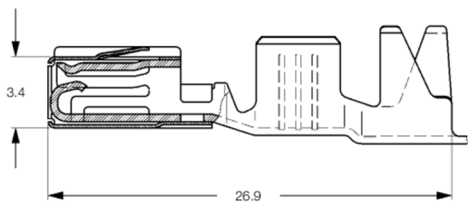
6906048.1



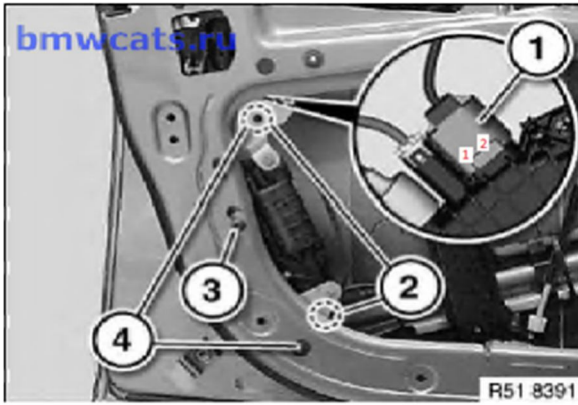
MPQ - Micro Power Quadlok



PQL - Power Quadlok



Connector X10757/ X10758/ X10759/ X10760 – pos. №1(see. Pict.)



61 13 8 364 520 – plug female

1 pin - "-"

2 pin - "+"

Connection diagram

